



LINE STRIPING SYSTEMS

linelazer™ III and linedriver™



*Combine LineLazer III
with LineDriver to create
the ultimate ride-on
striping system.*



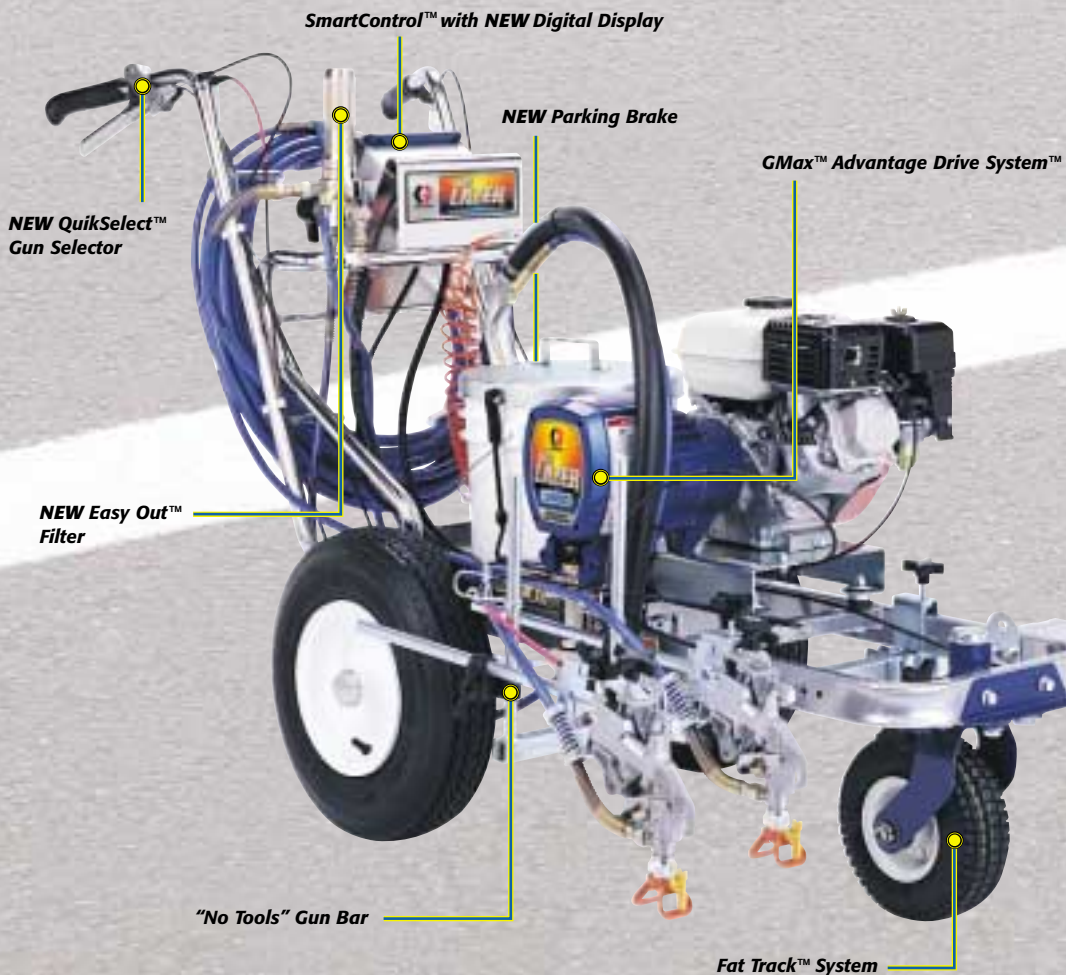
PROVEN QUALITY. LEADING TECHNOLOGY.

LineLazer III

Unparalleled Performance

All-new features make LineLazer III the best striper ever!

LineLazer III is the best family of line strippers yet! We've added many innovative new features to our industry-proven LineLazer strippers – everything is designed to dramatically increase your productivity and profitability while making your job easier. Take a look inside the new LineLazer III and see how the latest cutting-edge technology can help you increase your striping business.



LineDriver

Unequaled Efficiency

Introducing LineDriver, the high-production ride-on striping system!

Connect LineDriver to your LineLazer III striper* and immediately double your striping production! You'll complete jobs in half the time without sacrificing line quality or line accuracy. The LineDriver is engineered to meet your needs, revolutionizing the way you do business.



Amazing Productivity

- Even the fastest walking speeds limit your production. LineDriver delivers dramatic productivity improvements. Complete jobs in less time and expand your striping business!
- Forward speeds to 10 mph (16 km/h), reverse speeds to 6 mph (10 km/h); change directions instantly for consistent lines all the way to the curb.

Reduces Operator Fatigue

- Striping contractors can walk up to 6 ft (1.8 m) for every 1 ft (.30 m) of line painted.
- Operator fatigue reduces production as the day wears on. With LineDriver managing the 200+ lb (90.7+ kg) striper, fatigue is not a concern.

Improves Stripes

- By maintaining speeds to within 1/10 mph (.16 km/h), LineDriver helps you produce consistent line material thickness (film build) for more precise and longer lasting stripes.
- Riding allows you to focus your attention on striping, not pushing, giving you the straightest lines possible.



* Connects to most walk-behind line stripers with minimal modification. See manual for details.

Graco Quality and Technology – Inside

The New LineLazer III gives you industry-changing features*, all at your fingertips

LineLazer III is loaded with features, both familiar and brand-new, that are designed to make your job easier. We've placed them where they're easily accessible from the striping position – you can change settings as you go! Watch downtime shrink away.

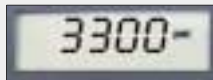
Pure Genius. SmartControl™ with Digital Tracking System keeps you in control

SmartControl



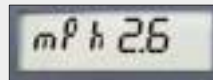
Track, measure and control various aspects of your jobs. You'll be amazed what knowledge at your fingertips can do for your business!

Pressure



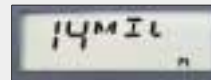
- Accurately set system pressure to desired level
- See your spraying pressure as you work

Speed



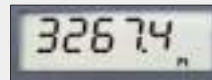
- Displays striping speed
- Allows you to monitor your speed for precise, even and accurate lines
- Match your striping speed to your tip size

Material Thickness



- Records average wet film build of striped lines
- Allows you to monitor amount of material being used and adjust if needed
- Helps determine your tip wear and its effect on material usage

Distance



- Resettable distance meter tracks actual striping distance and linear feet applied
- Tracks distance by job or project

SmartControl MicroProcessor

- Provides consistent spraying pressure, reducing pulsation and line variations
- Ensures maximum performance and reliability with all materials

Easy O

- Cleans
- Never
- Larger

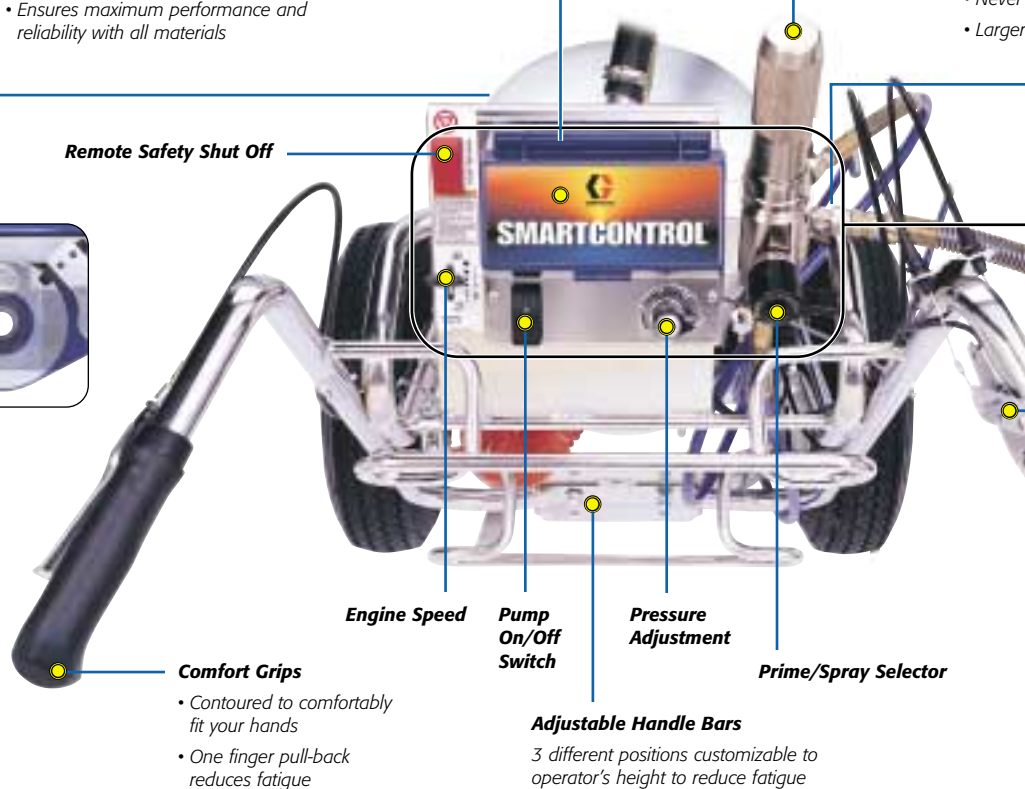
Remote Safety Shut Off



Fat Track System

The more stable the striper, the straighter and sharper the lines will be. Fat Track delivers sure footing that narrow and dual wheel units can't match!

- Single 3.5 in (89 mm) wide wheel won't follow surface cracks
- Tapered locking pin prevents wheel play
- Infinite Radius Lock-In™ for precise arcs and circles



Engine Speed

Pump On/Off Switch

Pressure Adjustment

Prime/Spray Selector

Comfort Grips

- Contoured to comfortably fit your hands
- One finger pull-back reduces fatigue

Adjustable Handle Bars

3 different positions customizable to operator's height to reduce fatigue

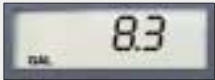
and Out ur finger tips!

ced all the major controls
as your productivity soars!



nformed.

Material Used



- Resettable material counter tracks the amount of material applied
- Tracks material used by job or project

SmartControl monitors, tracks and displays every aspect of your job, making your bidding process easier and much more accurate. This technology also gives you a valuable competitive advantage over other contractors, allowing you to share vital information with property managers as assurance that the job was done right.



ut Filter

s from the inside out
gets stuck
filtering area



GMax Advantage Drive System

- Heavy-duty clutch automatically adjusts and aligns for long life and maximum performance
- Hardened helical gears offer proven durability with quiet, efficient operation
- Endurance™ Piston Pump featuring the **NEW Xtreme™** rod sets the industry standard for convenience, ease of use, and long life.

Easy Reach Controls

Allows quick fine-tuning
of system settings without
stopping production



QuikSelect[†] Gun Selector

- Allows easy switching between one- and two-gun striping
- Dual position gun selector enables easy, no-tools switching between:

Solid Lines



Solid-Skip Lines



Skip-Solid Lines



WE BUILD IT. WE BACK IT. PERIOD.

- Easy-to-use warranty. No complicated paperwork!
- See instruction manual for full warranty*.

2-Year Bumper-to-Bumper Warranty

- We repair or replace any defective bare sprayer component for the original owner.

- Fluid pump components (parts and labor) limited to one-time replacements. Consumable items (filters, tips, etc.) are not covered.

- Lifetime warranty on LineLazer gear train.

30-Day "Just Add Paint" Replacement Guarantee

- Satisfied? If not, simply return sprayer within 30 days to your purchase place. Exchange it for an identical unit or trade-up to a larger unit at an additional cost.

Highest Resale Value

- Graco Sprayers typically receive a 20-30% higher resale value over competitors.

Downtime Eliminator™ Program

- Needed warranty repair part not in your distributor's stock? Get FREE, next business day delivery, when distributor orders by 2 p.m. CST.

- Quik-Parts Plus Program offers 250+ parts 100% in stock.

Large Distributor Network

- 440+ certified service centers and 5400+ distributor locations for quick service with Graco parts, accessories and equipment in stock.

Assistance Is Just a Phone Call Away

- Call 1-800-690-2894 for Customer Service.

* Outside the U.S. and Canada, not all conditions of the extended warranty may apply. Contact your local distributor for details.

The Ultimate Striping System

Versatility that keeps you working!



Stenciling is easy with LineLazer III's standard 57 ft (17m) of on-board hose.



LineLazer lets you take total control of your striping jobs. Either driving or walking, you'll see better results and be more productive.



Disconnect the LineDriver quickly and easily to reach those tight spots.

Increase your profitability!

LineLazer III and LineDriver efficiently stripe a wide variety of surfaces of any size, such as parking lots, runways, roads, paths, sports fields, shopping malls and convenience stores.



The Lineup

There's a LineLazer to meet all your production needs.



LineLazer 3000

Ideal for parking lot and seal coat contractors, schools and park departments.

Sprays most common traffic coatings and architectural coatings.



LineLazer III 3900

Great for continuous, heavy-duty striping environments.

Sprays most heavy, low VOC, waterborne and rubberized traffic paints without thinning.



LineLazer III 5900

High-performance choice for large city and county projects.

Sprays most heavy, low VOC, waterborne and rubberized traffic paints without thinning.

LineDriver Advances the Industry

Driving hasn't been this much fun since you got your license!



You can take these features sitting down!

Infinitely Adjustable Speed Control

- Forward to 10 mph (16 km/h), reverse to 6 mph (10 km/h)
- Maintain striping speeds to within 1/10 mph (.16 km/h)

High Output Light

- Allows accurate striping in low light conditions
- Adjustable outward reach and lamp angle

Padded Adjustable Seat

- Fully padded with durable seat cover—provides comfortable riding all day
- 12-position seat allows for a custom fit

Honda Overhead Valve Engine

Durable and reliable engine has Oil Alert* for worry-free operation



Variable Displacement Hydrostatic Pump

- No gears or belts to engage or wear
- Never requires adjusting



Twin Parallel Plumbed Wheel-Drive Motor

- Precisely balanced for accurate and repeatable straight lines
- No chains or sprockets to maintain

Dual Foot Pedal Controls (Patent Pending)

- Superior operator control and maximum versatility
- Operate with right foot, left foot or both feet
- Pedal angles are independently adjustable for custom comfort

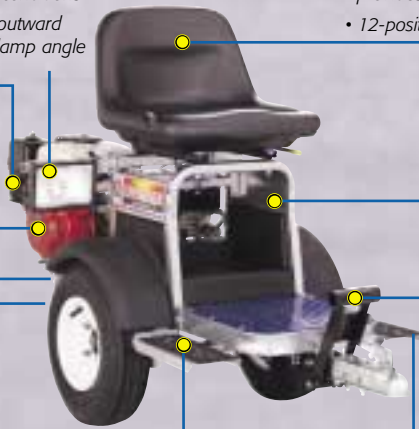


Convenient Under-Seat Storage

The perfect location for tools, spare tips, gas can, etc.

Heavy-Duty Parking Brake

Keeps the system from rolling on uneven pavement



If you can stripe it, you can *drive* it.



ABOUT GRACO

PROVEN QUALITY. LEADING TECHNOLOGY.

Founded in 1926, Graco is a world leader in fluid handling systems and components. Graco products move, measure, control, dispense and apply a wide range of fluids and viscous materials used in vehicle lubrication, commercial and industrial settings.

The company's success is based on its unwavering commitment to technical excellence, world-class manufacturing and unparalleled customer service. Working closely with qualified distributors, Graco offers systems, products and technology which set the quality standard in a wide range of fluid handling solutions. Graco provides equipment for spray finishing, protective coating, paint circulation, lubrication, and dispensing sealants and adhesives, along with power application equipment for the contractor industry. Graco's ongoing investment in fluid management and control will continue to provide innovative solutions to a diverse global market.

GRACO HEADQUARTERS

AMERICAS

MINNESOTA
Worldwide Headquarters
Graco Inc.
88-11th Avenue N.E.
Minneapolis, MN 55413

MAILING ADDRESS
P.O. Box 1441
Minneapolis, MN 55440-1441
Tel 612 623-6000
Fax 612 623-6777

MICHIGAN
Automotive Headquarters
and Sales Office
47800 Halyard Drive
Plymouth, MI 48170
Tel 734 416-3400
Fax 734 416-3441

EUROPE

BELGIUM
European Headquarters
Graco N.V.
Industrieterrein - Oude Bunders
Slakweidestraat 31
3630 Maasmechelen, Belgium
Tel 32 89 770 700
Fax 32 89 770 777

ASIA PACIFIC

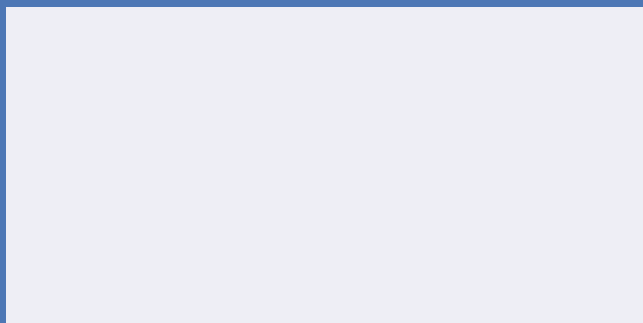
JAPAN
Graco K.K.
1-27-12 Hayabuchi
Tsuzuki-ku
Yokohama City, Japan 2240025
Tel 81 45 593 7300
Fax 81 45 593 7301

CHINA
Graco Hong Kong Ltd.
Representative Office,
Room 118, 1st Floor
No. 2 Xin Yuan Building
No. 509 Cao Bao Road
Shanghai, P.R.China 200233
Tel: 86 21 649 50088
Fax: 86 21 649 50077

KOREA
Graco Korea Inc.
3rd Fl., Doorim Bldg.
164-21 Poi-Dong,
Kangnam-Ku
Seoul, Korea 135-260
Tel 82 2 575-8901
Fax 82 2 571-9422

All written and visual data contained in this document are based on the latest product information available at the time of publication. Graco reserves the right to make changes at any time without notice.

Graco Inc. is registered to I.S. EN ISO 9001



Sales/Distribution Toll Free, North America
800-690-2894
FAX 800-334-6955
www.graco.com



GRACO INC.
P.O. Box 1441
Minneapolis, MN 55440-1441

LINE STRIPING ACCESSORIES

EZ Bead™ - Glass Bead Application System*

- Dispenses beads automatically
- Adjust dispensing heads to stripe 2 in (51 mm), 4 in (102 mm) and 6 in (153 mm) lines
- EZ Bead Hopper is reversible for use on both sides of the striper
- Lightest system on the market with the highest bead capacity
- 100 lb (45.3 kg) bead capacity

241100 Complete EZ Bead System with two dispensers

241447 Complete EZ Bead System with one dispenser

241530 Complete EZ Bead System with two dispensers for LineLazer 3500 and 5000

241448 Dispenser Kit (contains one dispenser and hose)

245516 EZ Bead 12 in (305 mm) Bead Dispenser

- Full 12 in (305 mm) bead dispenser with one gun
- Convenient 4 in (102 mm) center bead door for applying 4 in (102 mm) stripes with beads

EZ Bead Wind Deflectors

- Prevent beads from being blown off of the stripe
- Flexible, clear plastic design with quick connect fasteners

245519 6 in (153 mm) Wind Deflector (6-Pack)

245520 12 in (305 mm) Wind Deflector (3-Pack)

LineLazer™ II Line Pointer System*

- Available in two lengths for parking lot and highway use
- Wide blade allows operator to follow string line in both directions
- See-through design gives clear view of pavement directly ahead of the gun
- Line pointer folds up to allow striping right up to curbs
- Entire pointer system folds up for storage and shipping

241101 Short Pointer Guide - 25 in (635 mm)

241102 Long Pointer Guide - 40 in (1016 mm)

15 gal (57 L) Paint Hoppers

- Triple paint capacity while maintaining machine balance and maneuverability

241104 Fits LineLazer II 3900 and 5900

241103 Fits LineLazer 3500 and 5000

(For LineLazer 3500, use suction kit 238962)

Fat Track™ Repair Kit

240719 Fits LineLazer II 3900 and 5900

Fat Track Retro Kit

241105 Updates existing LineLazer 3500 and 5000 to Fat Track technology

LineLazer II Reversible Handle Bar Kit*

240714 Configure your LineLazer with single caster wheel in back

- Great for striping athletic fields
- For LineLazer III applications, also order Extended Reach Distance Sensor Kit 245686

* Not available for LineLazer 3000



EZ Bead System



EZ Bead 12 in (305 mm) Dispenser



EZ Bead Wind Deflector



Line Pointer System



15 gal (57 L) Paint Hopper



Fat Track Retro Kit

LINELAZER III SPECIFICATIONS



Operator Specs	LineLazer 3000
Maximum Tip Size	1 gun to 0.025 2 guns to 0.024
Maximum Delivery Rating	0.62 gpm (2.35 lpm)
Additional Output	
Maximum Working Pressure	3000 psi (20.7 MPa, 207 bar)
Maximum Hose	300 ft (91.4 m)
Engine Size	4.0 HP Honda
Fuel Tank Capacity	0.66 gal (2.5 l)
Weight	150 lb (68 kg)
Dimensions <i>inches</i> <i>(centimeters)</i>	32 W x 43 H x 58 L (81.3 W x 109.2 H x 147.3 L)
Repair Kits <i>Gun</i> <i>Pump</i>	235474 235703
Instruction Manuals <i>Operation</i> <i>Repair</i>	308685 308685
Material	Most common traffic paints and architectural coatings
Typical Applications	Small striping jobs, ideal for parking lots and seal coat contractors, schools and park departments
Part Number	232650 (Complete) 239281 (Rear Caster Wheel Assembly)

LINEDRIVER SPECIFICATIONS

Operator Specs	LineDriver
Operating Speed	Forward to 10 mph (16 km/h) Reverse to 6 mph (9.6 km/h) Maintain striping speed within 1/10 mph (.16 km/h)
Engine Size	5.5 HP Honda
Fuel Tank Capacity	0.95 gal (3.6 L)
Weight	246 lb (111 kg)
Dimensions <i>inches</i> <i>(centimeters)</i>	26 W x 41 H x 58 L (66 W x 104 H x 147 L)
Instruction Manuals <i>Operation</i> <i>Repair</i>	309402 309404
Typical Applications	Use on any application where a walk-behind striper would be used, and more!
Part Number	233725



LineLazer III 3900	LineLazer III 5900
1 gun to 0.034 2 guns to 0.028	1 gun to 0.041
1.15 gpm (4.4 lpm)	1.5 gpm (5.7 lpm)
104% more output than the LineLazer 3000	30% more output than the LineLazer II 3900
3300 psi (22.7 MPa, 227 bar)	3300 psi (22.7 MPa, 227 bar)
300 ft (91.4 m)	300 ft (91.4 m)
4.0 HP Honda	5.5 HP Honda
0.66 gal (2.5 l)	0.95 gal (3.6 l)
212 lb (96 kg)	232 lb (105 kg)
32 W x 40 H x 65 L (81.3 W x 101.6 H x 165.1 L)	32 W x 40 H x 65 L (81.3 W x 101.6 H x 165.1 L)
235474 244196	235474 244198
309413 309414	309413 309414
Most heavy, low VOC, waterborne and rubberized traffic paints	Most heavy, low VOC, waterborne and rubberized traffic paints
Continuous, heavy-duty striping requirements	Continuous, heavy-duty striping projects requiring higher output capacities
233688 (Complete) 233689 (Complete with 2nd Gun Kit 241284)	233690 (Complete) 233691 (Complete with 2nd Gun Kit 241284)



BlueMax™ Hose with E-nickel fittings

245225 3/8 in x 50 ft (9.5 mm x 15.2 m)

245227 1/4 in x 7 ft (6.3 mm x 1.8 m)

- Increased working pressure: 3300 psi (22.7 MPa, 227 bar)
- Less pressure drop for higher performance at the gun



BlueMax Hose

2nd Gun Striper Kit*

241284 Complete kit for two-gun striping with LineLazer models

Repair Kits

244196 LineLazer III 3900

244198 LineLazer III 5900

235703 LineLazer 3000

222588 LineLazer 3500

220877 LineLazer 5000

235474 Flex Plus™ Gun

218143 Flex™ Gun (older models)

LineLazer Tips

Tip Size	Line Width	Use For
221203**	2 in (51 mm)	Sport court – light film build
LL5213**	2 in (51 mm)	Sport court – heavy film build
LL5215	2 in (51 mm)	Alkyd paints only – light film build
LL5217	2 in (51 mm)	Alkyd paints only – medium film build
LL5219	2 in (51 mm)	Alkyd paints only – heavy film build
LL5315	4 in (102 mm)	Most traffic paints – light film build
LL5317	4 in (102 mm)	Most traffic paints – medium film build
LL5319	4 in (102 mm)	Most traffic paints – medium film build
LL5321	4 in (102 mm)	Most traffic paints – heavy film build
LL5323	4 in (102 mm)	Most traffic paints – heavy film build
LL5327	4 in (102 mm)	Most traffic paints – heavy film build
LL5417#	4–8 in (102–204 mm)	All paints and high solids traffic paints – light film build
LL5419#	4–8 in (102–204 mm)	All paints and high solids traffic paints – medium film build
LL5421#	4–8 in (102–204 mm)	All paints and high solids traffic paints – heavy film build
LL5621	8–12 in (204–305 mm)	All traffic paints – light film build
LL5623	8–12 in (204–305 mm)	All traffic paints – medium film build
LL5625	8–12 in (204–305 mm)	All traffic paints – medium film build
LL5627	8–12 in (204–305 mm)	All traffic paints – heavy film build



LineLazer RAC™ 5 SwitchTip™

* Not available for LineLazer 3000

** May require 100 mesh filter to minimize tip plugging

Best for cold weather applications

LINEDRIVER™ ACCESSORIES

245321 LineDriver Hitch Kit

For attaching the LineDriver to additional strippers

245340 LineDriver Replacement Wheel Kit

245343 LineDriver Auxiliary Battery Kit



LineDriver Hitch Kit



GRACO INC.
P.O. Box 1441
Minneapolis, MN 55440-1441

©2002 Graco Inc. Form No. 300588A 01/02 Printed in U.S.A.

All other brand names or marks are used for identification purposes and are trademarks of their respective owners.

Graco Inc. is registered to I.S. EN ISO 9001